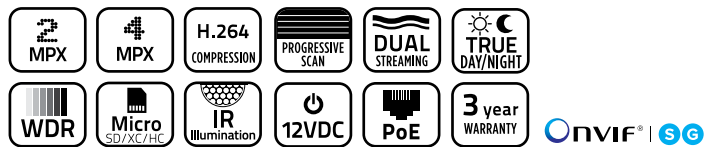


2MPx and 4MPx IP Wedge IR Cameras

Series 3 IP Open Standards Cameras



OVERVIEW

TruVision® IP Megapixel Wedge IR Cameras by Interlogix bring high-definition images to the mass video surveillance segment. With 2MPx or 4MPx resolution options, these cameras provide flexibility for a wide variety of applications.

The IP Megapixel Wedge IR Cameras also adhere to ONVIF® Profile G and S open communications standards as well as support CGI command set for simple integration into standard IP systems. By utilizing an integrated browser and micro SD memory card storage capability, these cameras simplify remote, live monitoring/playback of edge-recorded audio and video. Memory card recording also helps protect data in the event of network disruptions.



STANDARD FEATURES

Video

- 2MPx or 4MPx resolution options
- H.264 compression technology with dual-streaming capability
- 2.0mm or 2.8mm fixed lens options
- ONVIF Profile G and S open communications standards compatibility

Video Enhancement

- Hallway view, ROI (Region of Interest)
- Real-time video streaming up to 1080p resolution
- WDR 120db
- True D/N functionality and infrared illuminators (on select models)
- Up to 33 ft. (10m) IR range - with on/off settings

Video Alarms

- Integrated Motion Detection, Tamper proof and Privacy masking
- Advanced Cross line and Intrusion detection
- External alarm I/O support

Audio and Edge Recording

- External audio I/O support and built-in Mic
- Edge recording on up to 128GB micro SD/SDXC card for video playback (card not included)

Installation and Environment

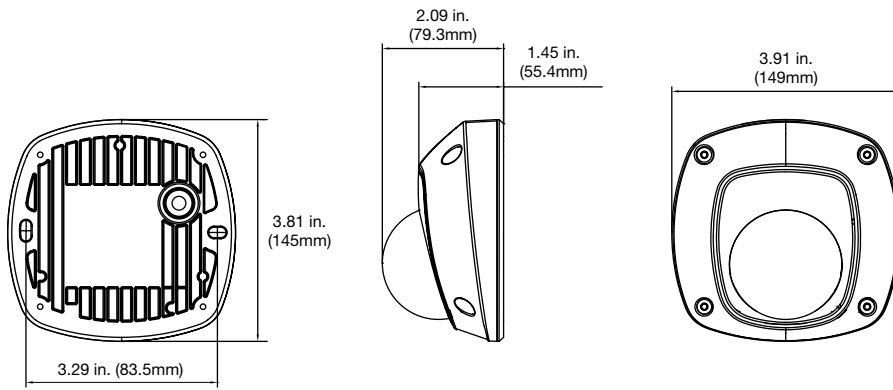
- IP66 Environmental rating
- IK8 Vandal rating
- TruVision Device Manager software to access newly added system devices
- Mounting adapter plate

Warranty


- 3-year warranty

Dimensional Diagrams

TVW-5301, TVW-5302, TVW-5303, TVW-5304, TVW-5305 IP Wedge Camera (mounting adapter plate included)



Specifications

	PART NO.	TVW-5301	TVW-5302	TVW-5303	TVW-5304	TVW-5305
						
Housing		Gray	Gray	White	Black	Gray
Camera	Sensor	1/3" Progressive Scan CMOS				
	Resolution	2MPx				4MPx
	Day/Night	IR cut filter				
	IP Compression	H.264 / MJPEG				
	Multiple Streaming	Dual Stream				
	Maximum Resolution	1920 x 1080				2688 x 1520
	Maximum Real-Time Resolution (@fps)	1920 x 1080 @ 25/30 fps				
	Video Bit Rate	256 Kbps - 16 Mbps				
	Wide Dynamic Range	WDR (120 dB)				
	Digital Noise Reduction	3D-NR				
	Minimum Illumination	0.01 lux @ f1.2, AGC On	0.01 lux @ f1.2, AGC On; 0 lux with IR			
	Digital S/N Ratio	50 dB (AGC Off)				
	Auto Exposure (shutter)	1/3 s to 1/10,000 s				
	Lens	2mm @ f2.0	2.8mm @ f2.0			
Focus	Fixed					
IR Range	N/A	33 ft. (10m)				
Network	Ethernet Port	1 RJ45 10/100 Mbps auto-negotiate				
	Network Protocols	TCP/IP, HTTP, DHCP, DNS, DDNS, RTP, RTSP, PPPoE, SMTP, NTP, SNMP, HTTPS, FTP, 802.1x, Qos, IPv6				
Local Storage	Media	Micro SD/SDHC/SDXC slot				
	Capacity	Up to 128GB				
Audio	Input	1 Mic-in, Built-in Mic				
	Output	1				
	Audio bit rate (protocol)	G.722.1, G.711ulaw, G.711alaw, MP2L2 and G.726				
Camera Alarms	Intelligence	Motion Detection, Tamper Proof, Privacy Mask, Dual VCA, Intrusion Detection, Cross Line, Hallway View, ROI				
	Input/Output	1 in / 1 out				
Interoperability	Standard	ONVIF® (Profile G/S), PSIA, CGI				
Display	Display Mode	Flipped horizontally (up/down), vertically (right/left) or centered, Hallway view, ROI (Region of Interest)				
	On Screen Display (OSD)	Text overlay				
Electrical/Mechanical	Voltage Input	12VDC, PoE (IEEE802.3-af)				
	Power Consumption	5W				
	Current	0.42A				
	Auxiliary Output	N/A				
	Dimensions	3.86 x 3.49 x 12.94 in. (98 x 89 x 329mm)				
Weight	0.9 lbs. (409g)					
Environmental	Storage Temperature	-22°F~-140°F (-30°C~60°C)				
	Operating Temperature	-22°F~-140°F (-30°C~60°C)				
	Environmental Rating	IP66				
	Vandal Rating	IK8				
Regulation	Compliance	FCC, CE, UL, WEEE, RoHS, REACH				

2MPx and 4MPx IP Wedge IR Cameras

Series 3 IP Open Standards Cameras



Ordering Information

TVW-5301	TruVision® Wedge Fixed Lens Camera, 2MPx, True D/N, WDR, 2mm, Built-in Mic, Audio, Alarm, Micro SD/SDHC/SDXC Slot, PoE (802.3-af)/12VDC, IP66, IK8, Gray
TVW-5302	TruVision IR Wedge Fixed Lens Camera, 2MPx, True D/N, WDR, 10M IR, 2.8mm, Built-in Mic, Audio, Alarm, Micro SD/SDHC/SDXC Slot, PoE (802.3-af)/12VDC, IP66, IK8, Gray
TVW-5303	TruVision IR Wedge Fixed Lens Camera, 2MPx, True D/N, WDR, 10M IR, 2.8mm, Built-in Mic, Audio, Alarm, Micro SD/SDHC/SDXC Slot, PoE (802.3-af)/12VDC, IP66, IK8, White
TVW-5304	TruVisionIR Wedge Fixed Lens Camera, 2MPx, True D/N, WDR, 10M IR, 2.8mm, Built-in Mic, Audio, Alarm, Micro SD/SDHC/SDXC Slot, PoE (802.3-af)/12VDC, IP66, IK8, Black
TVW-5305	TruVision IR Wedge Fixed Lens Camera, 4MPx, True D/N, WDR, 10M IR, 2.8mm, Built-in Mic, Audio, Alarm, Micro SD/SDHC/SDXC Slot, PoE (802.3-af)/12VDC, IP66, IK8, Gray

Accessories

TVD-BB3	TruVision Dome Back Box
TVD-BB3A	TruVision Dome Angled Back Box
TVW-2G-AD	Double Gang Electrical Box Adapter Plate
TVW-AWB-1	Outdoor Angled Back Box for Wedge
TVW-AWB-2	Indoor Angled Back Box for Wedge
TVD-LWB-1	TruVision Dome Bracket, L-shape
TVD-LWB-AD	TruVision LWB Bracket Adapter to TVD-SNB-BB
TVD-M2-WM	TruVision Dome Wall Mount (use w/DR-RWM-AD Adapter)
DR-RWM	Wall Mount (use w/DR-RWM-AD Adapter)
DR-RWM-AD	Adapter for TVD Plastic Dome to DR & TVD-M2-WM Wall Mount Bracket
TVD-CB2	TruVision Dome 2-Inch Cap Base, requires TVD-M2-WEBM which is included (use w/TWV, TVD-SNB, TVD-PPB)
TVW-DVM	Dual View Mount for Wedge (use w/TVD-PPB and TVD-SNB)
TVD-SNB	TruVision Dome Swan Neck Bracket (use w/TVD-CB5A, TVD-CB3, TVD-CB2 TVW-DVM)
TVD-SNB-BB	TruVision TVD-SNB Back Box, 4-directional Conduit, Indoor & Outdoor
TVD-M-CMA	TruVision Corner Mount Adapter (use w/TVD-SNB, TVC VF/Motor Lens IP Bullet Cameras and TVD-HD-TVI/Analog VF Bullet Cameras)
TVD-M-PMA	TruVision Pole Mount Adapter (use w/TVD-SNB, TVC VF/Motor Lens IP Bullet Cameras and TVD-HD-TVI/Analog Bullet Cameras)
TVD-PPB	TruVision Dome Pendant-Mount Bracket (use w/TVD-CB5A, TVD-CB3, TVD-CB2, TVW-DVM)



interlogix.com

Specifications subject to change without notice.

© 2016 United Technologies Corporation.

All rights reserved.

All trademarks are the property of their respective owners.

Interlogix is part of UTC Climate, Controls & Security, a unit of United Technologies Corporation.

2016/10 (GSP-1752)